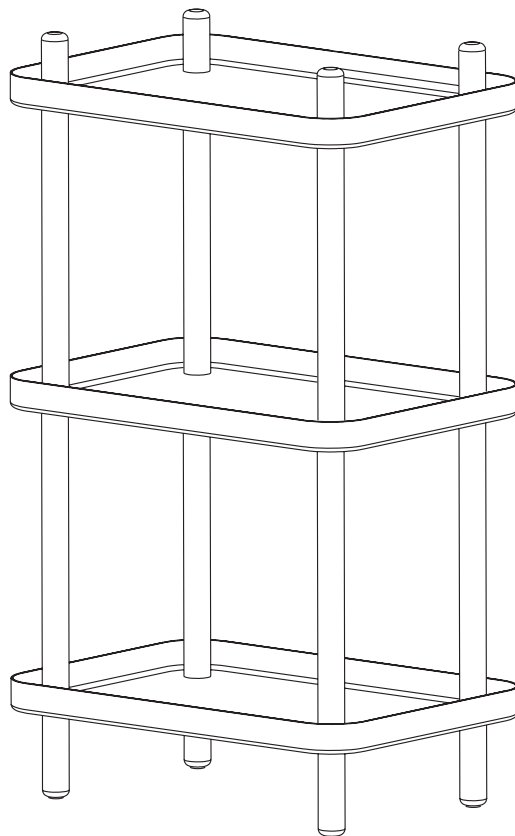


# Block Shelf

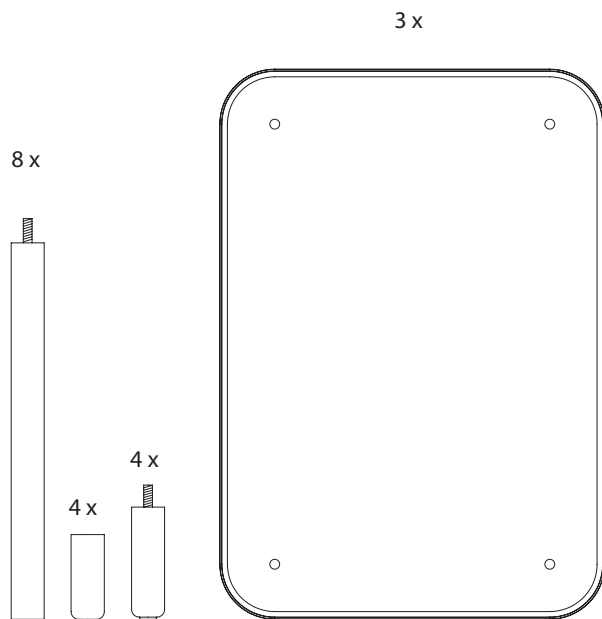
## Assembly Instructions



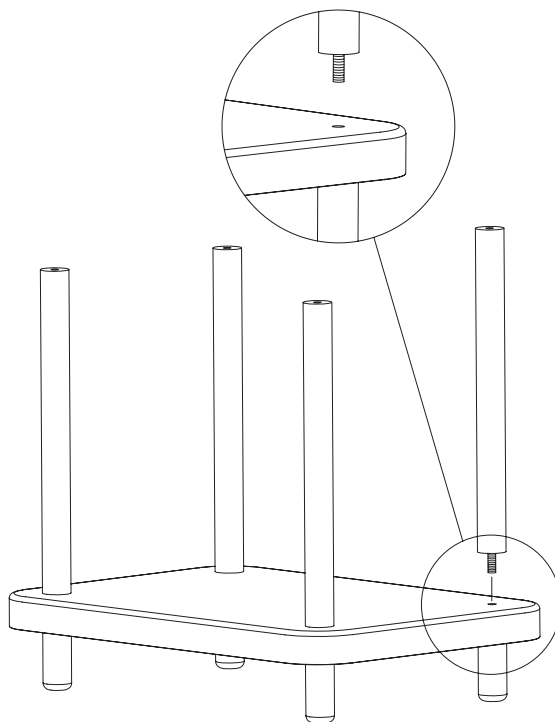
**normann**

C O P E N H A G E N

1



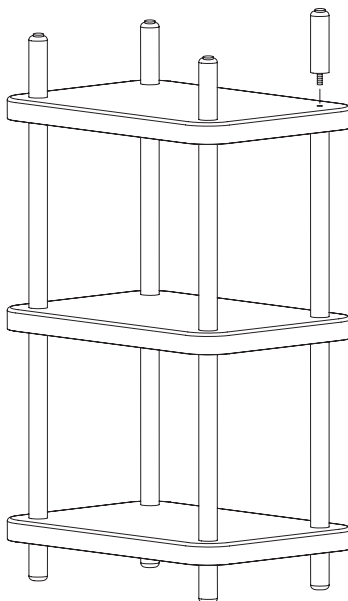
2



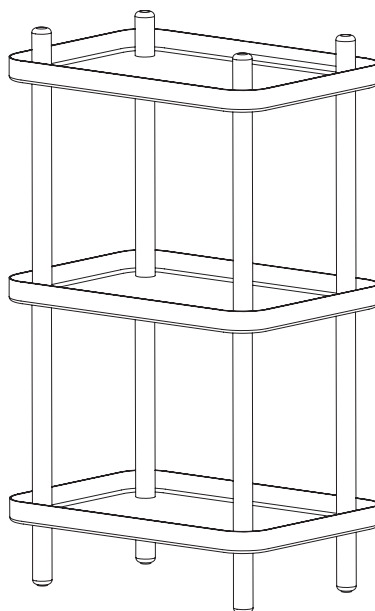
**normann**

C O P E N H A G E N

**3**



**4**



**normann**

C O P E N H A G E N